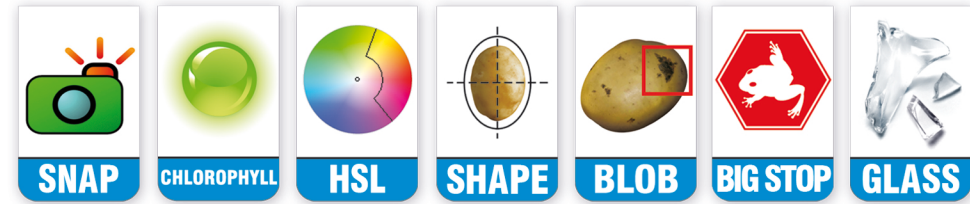




# Rayvolution



It is relatively easy to select and reject green, yellow, orange tomatoes, tomatoes with large necrotic stains; this can be done, for example, even with the most inexpensive Raybow machine. Rayvolution features Blueight technology which with its rich functions can easily take care of the various problems of the application.



*Application example:  
achieving maximum quality with low costs.*



*High production without rough product handling.*

**BLUEIGHT  
TECHNOLOGY**

Software GUI  
**UNYCO**

This is a true revolution in the field of peeled tomato sorters: controls that had so far been exclusively manual have been made automatic by the new Raytec sorter.

Reducing production costs while significantly improving product quality? This is not possible without Blueight technology, which features multiple processing capabilities.



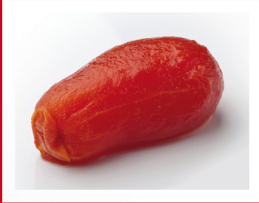
[WWW.RAYTECVISION.COM](http://WWW.RAYTECVISION.COM)

*Innovation in Sorting Equipment*

## Example of sorting criteria

TOMATO

GOOD PRODUCT



REJECT 1



REJECT 1



REJECT 2



### Sorting

What sets this machine apart from the rest?

- Small necrotic spots are not mistaken for the stem base.
- Crushed red tomatoes can be rejected.
- Foreign objects made of red plastic are rejected.
- Transparent bottles are recognized and rejected.

### Image Capture

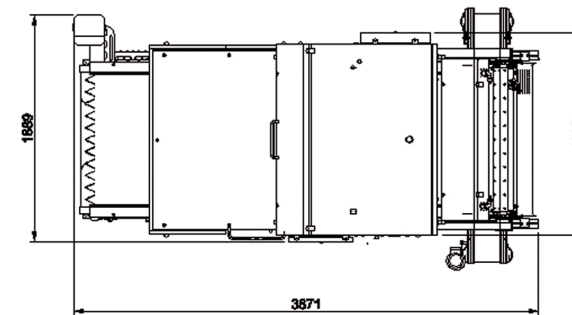
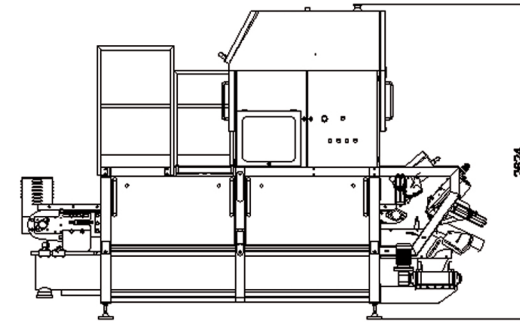
This also uses **Blueight** technology therefore threshold adjustment are made interactively on the monitor using **images captured** by the same machine.

### Ejection

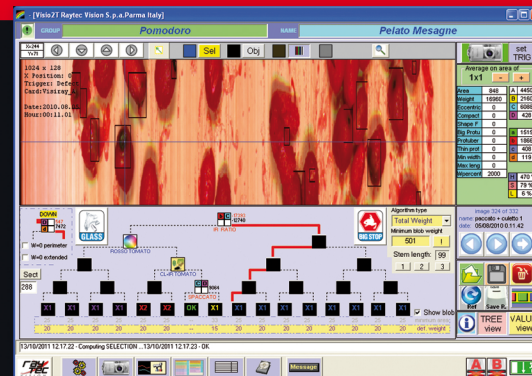
Once the objects have been processed based on the recipe and threshold values entered, the machine will perform the ejection using an electro-pneumatic ejector, in the 2-way system, or using two ejectors for 3-way systems.

## SYSTEM FEATURES

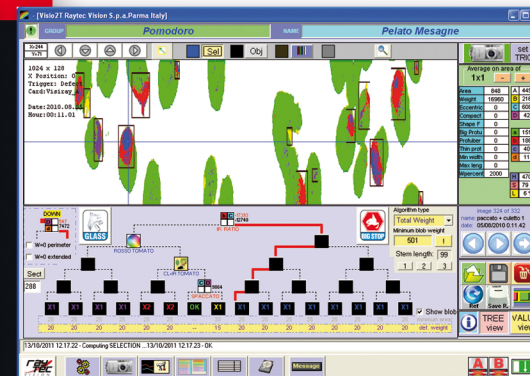
Optical resolution	0.5 mm
Ejection channels	44 + 44
Gauge of ejection channels	25 mm
Sorting conveyor speed	70-160 m/min
Working width of sorting conveyor	1100 mm



Low impact ejection



Captured image



Processed image



Inspection glasses never dirty